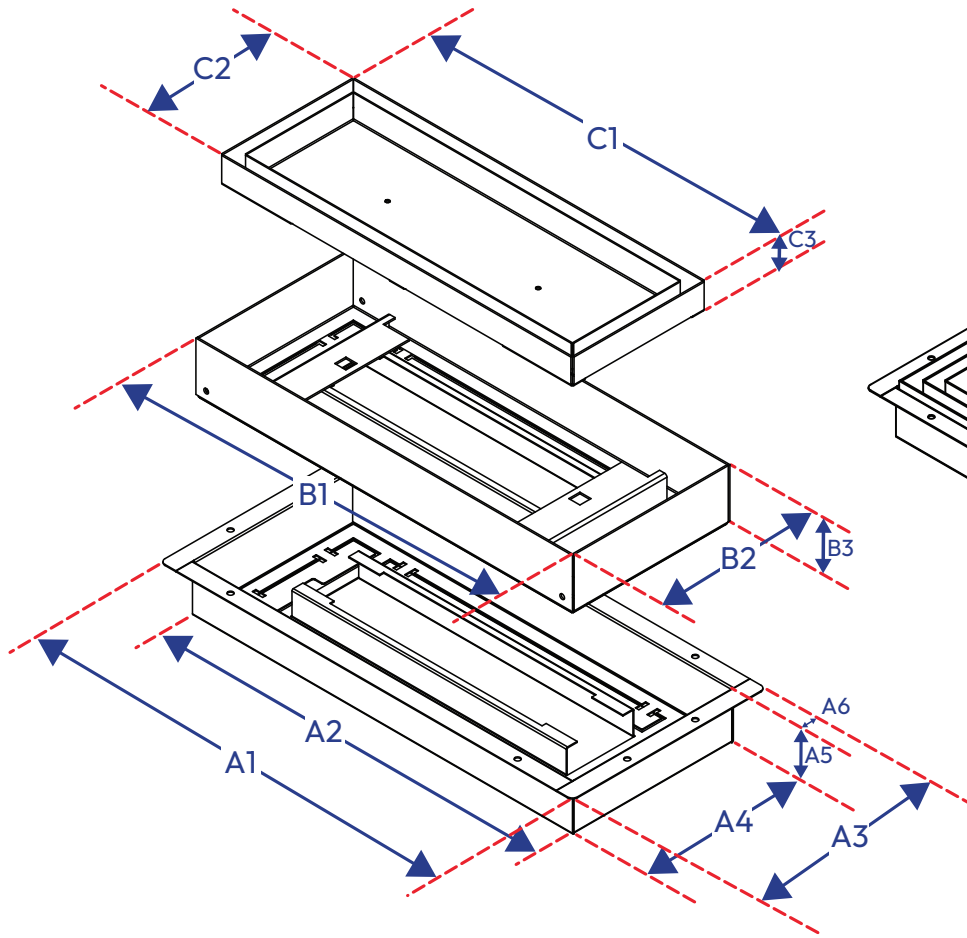


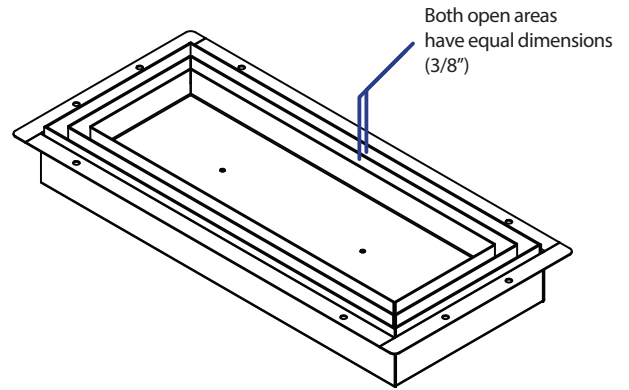


Flush Floor Vent [Luxe] High-Performance Specification Sheet

Perspective View



Assembled View



Component Dimensions

4"X10"			6"X12"			6"X14"		
	Inches	MM		Inches	MM		Inches	MM
A1	11 1/16"	281 mm	A1	13 1/16"	332 mm	A1	15 1/16"	383 mm
A2	9 15/16"	252 mm	A2	11 7/8"	302 mm	A2	13 7/8"	352 mm
A3	5 1/16"	129 mm	A3	7 1/16"	180 mm	A3	7 1/16"	179 mm
A4	3 7/8"	98 mm	A4	5 7/8"	149 mm	A4	5 7/8"	149 mm
A5	1 5/8"	41 mm	A5	1 11/16"	43 mm	A5	1 11/16"	43 mm
A6	5/8"	16 mm	A6	5/8"	16 mm	A6	5/8"	16 mm
B1	9 3/4"	248 mm	B1	11 3/4"	298 mm	B1	13 3/4"	349 mm
B2	3 3/4"	95 mm	B2	5 3/4"	146 mm	B2	5 3/4"	146 mm
B3	1 13/16"	46 mm	B3	1 13/16"	46 mm	B3	1 7/8"	48 mm
C1	8 57/64"	226 mm	C1	10 7/8"	276 mm	C1	11 63/64"	304 mm
C2	2 57/64"	73 mm	C2	4 7/8"	124 mm	C2	3 63/64"	101 mm
C3	1"	25 mm	C3	15/16"	24 mm	C3	7/8"	22 mm

Components

Tray: Insert finished surface material. Can slide and remove to access air flow flanges.

Body: Adjustable to height of floor surface.

Base: Installed before surface material at sub-floor level.

Install Note

This unit must be installed before flooring at sub-floor level. Use your surface material to customize vent.

Compatible Surface Materials

Tile, mosaic, hardwood, laminate, carpet, cork etc. Material must be 1/8" thick or more.