

Dimension: 2.0"w x 1.15"h

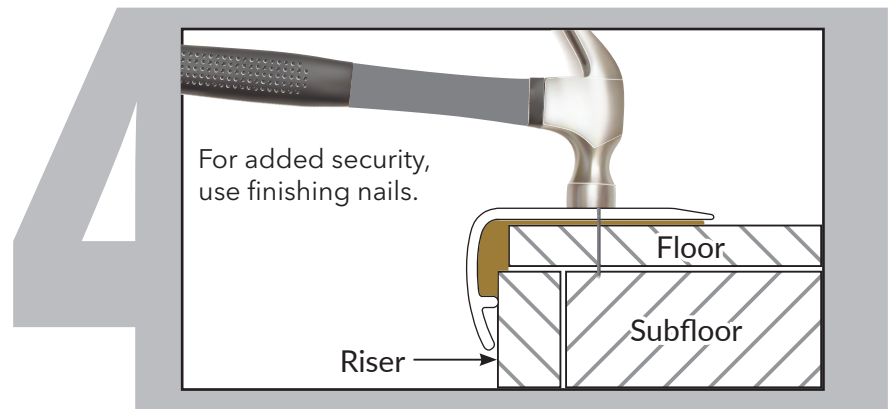
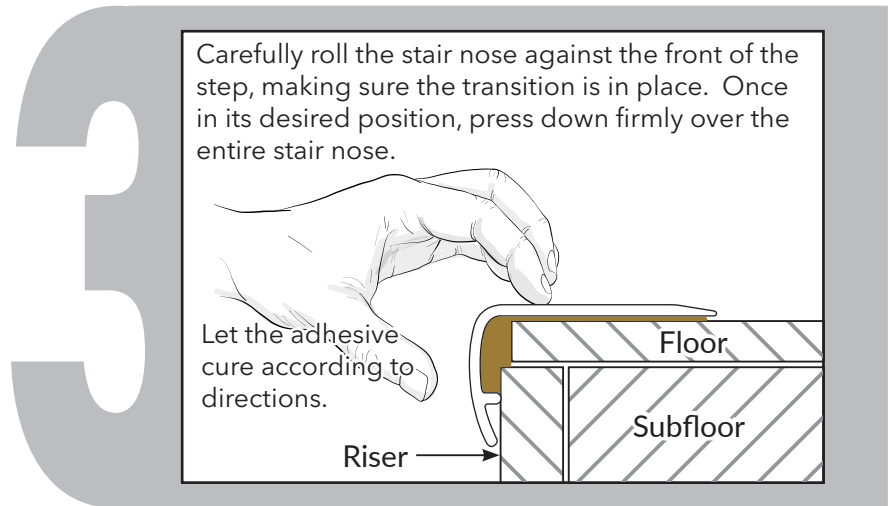
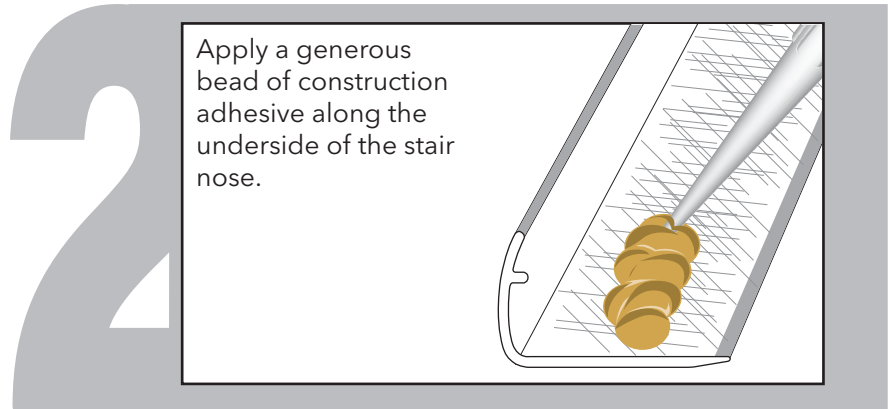
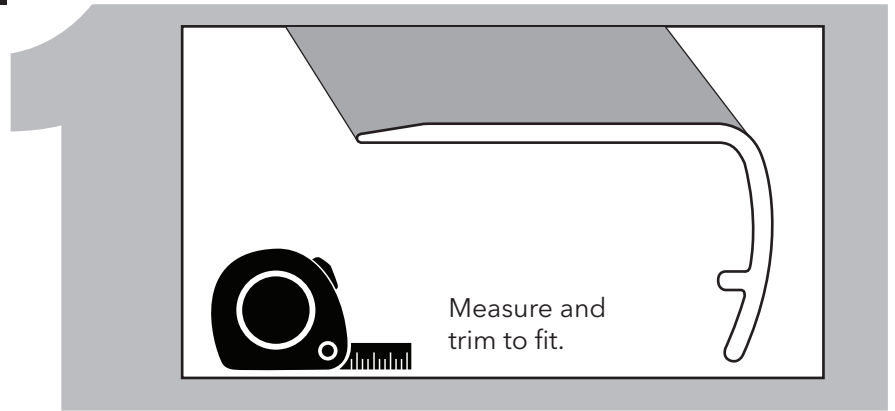
V-SN-01

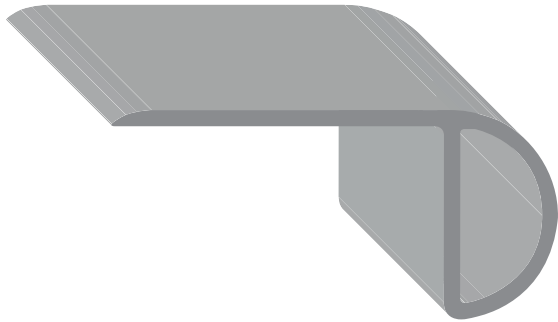
WATERPROOF STAIR NOSE

Used to finish the end of a step.

Note: Always ensure that existing stair (Tread depth and Riser height) dimensions are maintained

Surface: Wear resistant





Dimension: 2.23" w x 1.034" h

V-SN-06

WATERPROOF STAIR NOSE

Used to finish the end of a step.

Note: Always ensure that existing stair (Tread depth and Riser height) dimensions are maintained

Surface: Wear resistant

