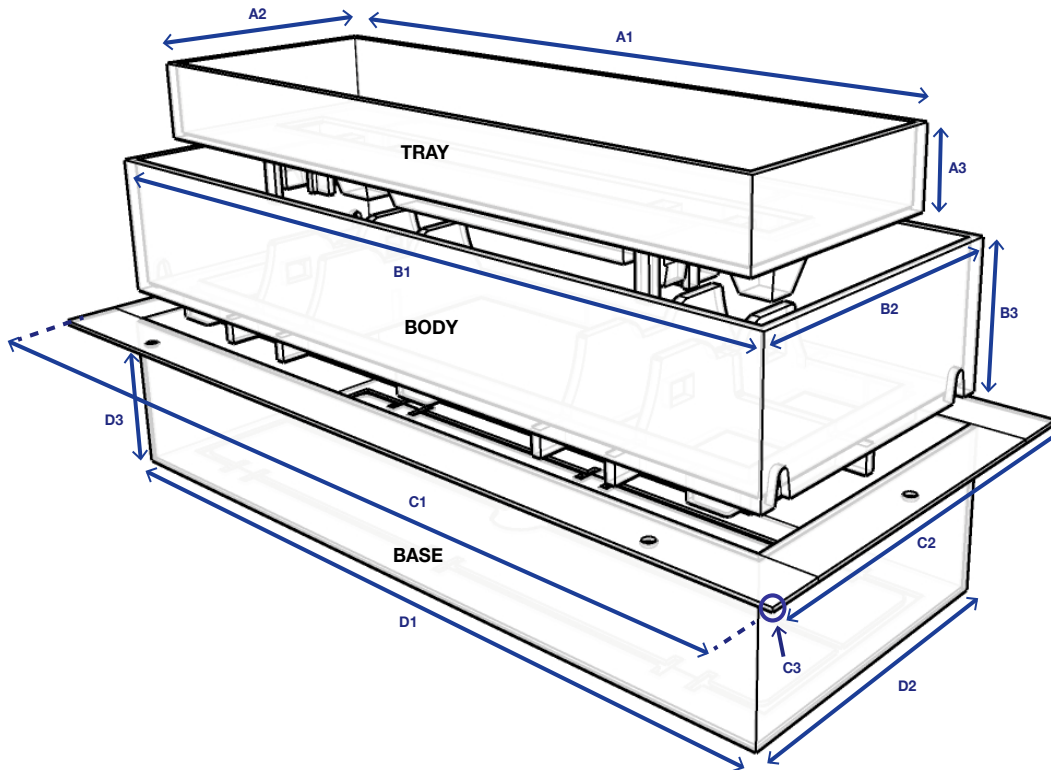




Flushmount Lite Model Specification Sheet

Perspective View (expanded)



Component Dimensions

	3"x10"		4"x10"		2"X12		4"x12"	
	Inches	MM	Inches	MM	Inches	MM	Inches	MM
A1	8 7/8"	225mm	8 7/8"	225mm	10 5/8"	270mm	10 13/16"	275mm
A2	1 15/16"	50mm	2 7/8"	73mm	1"	25mm	2 7/8"	73mm
A3	7/8"	22mm	7/8"	22mm	3/4"	19mm	7/8"	22mm
B1	9 3/4"	248mm	9 3/4"	248mm	11 13/16"	300	11 3/4"	298mm
B2	2 15/16"	74mm	3 11/16"	94mm	2 1/8"	54mm	3 13/16"	97mm
B3	1 7/8"	48mm	1 7/8"	48mm	1 3/4"	45mm	1 7/8"	48mm
C1	10 7/8"	276mm	11 1/16"	281mm	12 7/8"	327mm	13 1/16"	333mm
C2	3 7/8"	101mm	5 1/16"	129mm	3 1/4"	83mm	5 1/16"	129mm
C3	1/32"	1mm	1/32"	1mm	1/16"	1.5mm	1/32"	1mm
D1	9 7/8"	252mm	9 15/16"	252mm	11 3/4"	298mm	11 7/8"	302mm
D2	2 7/8"	76mm	3 7/8"	99mm	2 1/4"	57mm	3 15/16"	100mm
D3	1 7/8"	44mm	1 7/8"	48mm	1 3/4"	45mm	1 11/16"	44mm

Side View



Components

Tray: Insert finished surface material
 Body: Adjustable to height of floor surface
 Base: Installed before surface material sub-floor layer.

Install Note

This unit must be installed before floor or surface material to customize vent.

Compatible Surface Materials

Tile, mosaic, hardwood, laminate, carpet, cork, drywall, etc. Material must be 1/8" thick or more. Maximum thickness is 3/4"