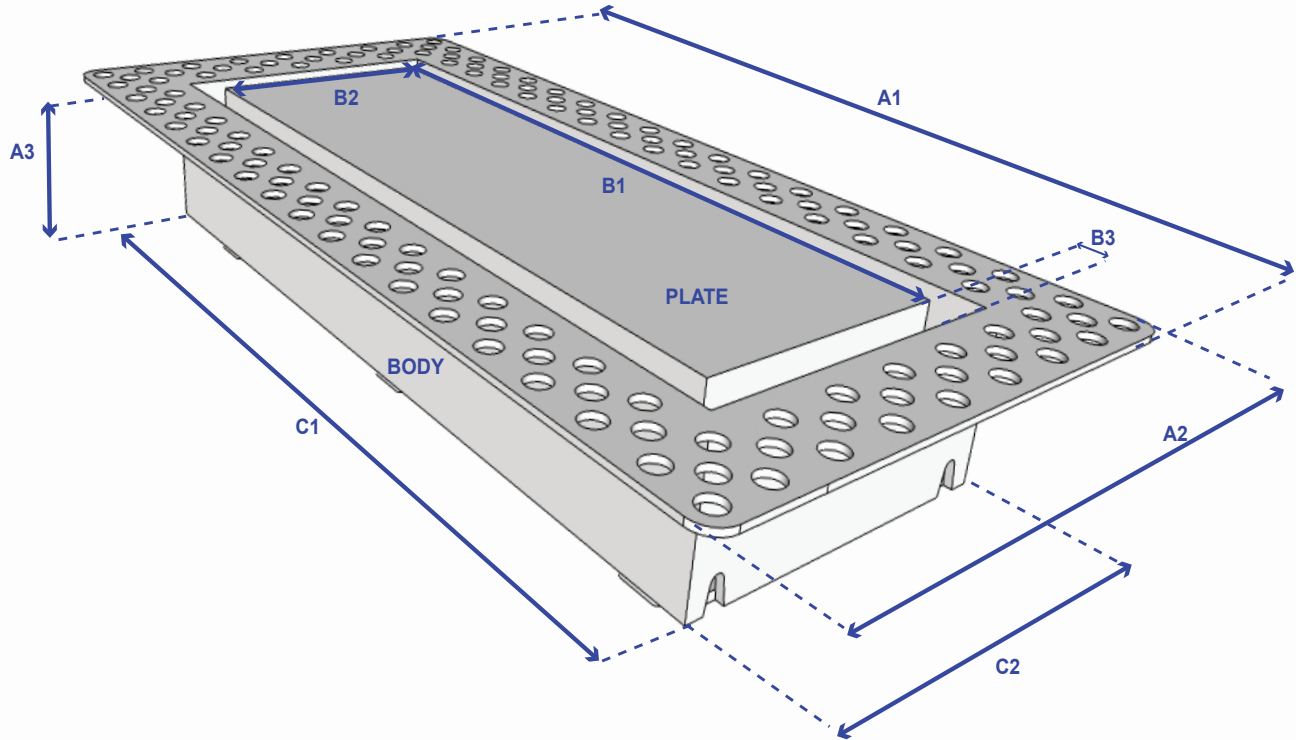




Drywall Lite - Bead Model Specification Sheet

Perspective View



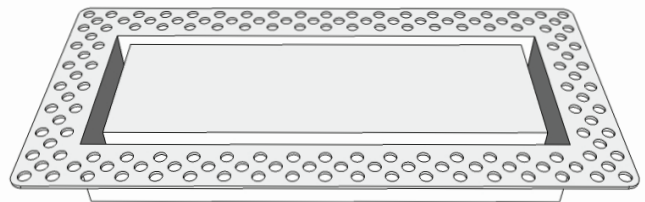
Component Dimensions

Imperial

Metric

	4"X10"		4"X10"
A1	11 ³ / ₄ "	A1	298mm
A2	5 ³ / ₄ "	A2	146mm
A3	2"	A3	51mm
B1	8 ⁵ / ₈ "	B1	219mm
B2	2 ⁹ / ₁₆ "	B2	65mm
B3	1/2"	B3	13mm
C1	9 ³ / ₄ "	C1	248mm
C2	3 ³ / ₄ "	C2	95mm

Side View



Components

Plate: Lightly textured flat plate to be finished with paint or wallpaper.

Body: Drywall bead frame to be fastened and mudding on drywall surface.

Air Flow Control

No air flow control on this model

Size & Colour	4"x10"
White	✓