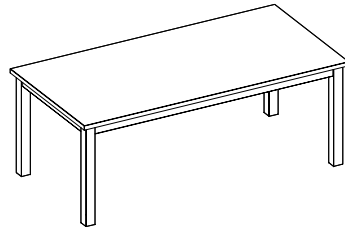
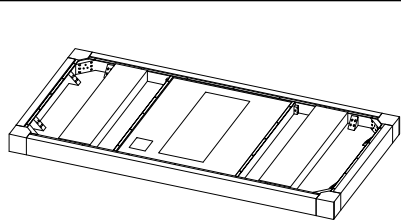
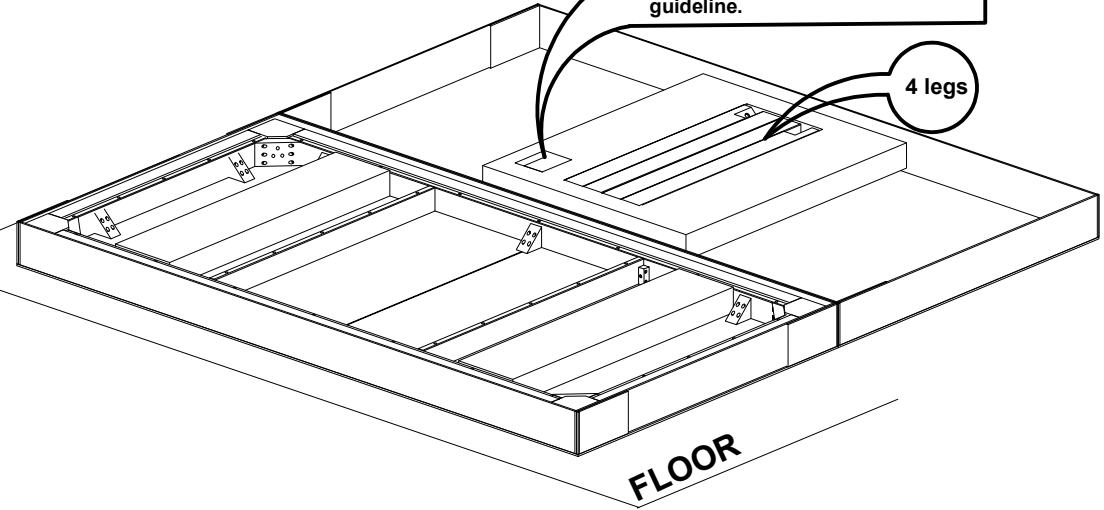


Please carefully read instructions, recommendations, and warnings before assembly



Step 1: Packaging

A zipper bag including 12 sets of bolt and washer, a 13mm wrench and an assembly instruction guideline.



FLOOR

Anti-scratch
cardboard liner

① Hardwares

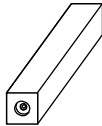
Qty

Illustration

Use

Table leg

4



4 table legs are to be connected to the table top.

Bolt and washer

12



Bolts and washers fasten table legs to the table top (3 sets/leg).

13mm wrench

1



Wrench tightens the bolts.

Adjustable glide pad

4



Glide pads have been assembled to the ends of table legs. Twist pads to adjust the height of the leg when the floor is uneven.

② Package instructions

Step 1: Packaging

- Please check that all hardware and parts are located in the box. Then, remove the hardware and parts.
- It is not recommended to assemble on carpet as hidden objects could scratch the surface. We suggest that you use a clean floor surface.
- The cardboard used to ship the product can be used as a clean surface to protect the table and floor.

Please carefully read instructions, recommendations, and warnings before assembly

Step 2: Assembly

- Align each leg with hole in table top. Insert bolts and washers; do not fully tighten until all bolts are attached.
- Continue the same process on all legs.
- Fully tighten all bolts with wrench.

Step 3: Set up

- With two people, lift the table and set upright.
WARNING: table is 132.3 lb (60.0 kg).
- If needed, adjust the glide pads on legs to make the table level.

3 Recommendations:

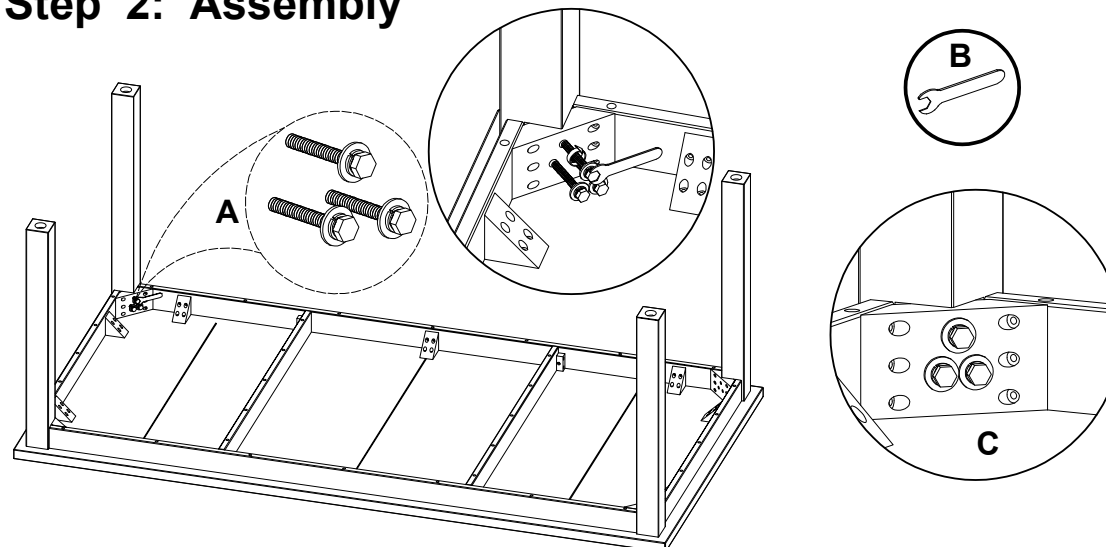
- Periodically check that bolts are tightened.
- When cleaning use a damp microfiber cloth.
- Do not clean with harsh cleaners or polishes.
- Do not place in direct sunlight as product may fade or patina over time.
- Do not write directly on furniture without a pad or blotter.
- This product is for indoor use only.
- This product is for household use and is not intended for commercial use.

Warning!

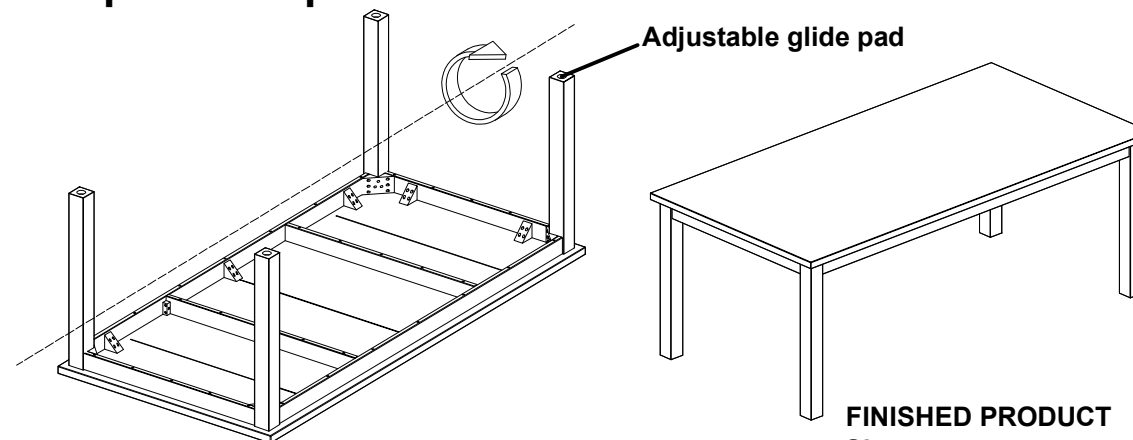
Serious injury can occur if not properly used

- Do not sit on table.
- Do not allow children to climb on table.
- This is not a TV stand and it is not recommended to place a TV on this table.

Step 2: Assembly



Step 3: Set up



FINISHED PRODUCT

Size:

**1016W x 2032L x 769H mm
(40") x (80") x (30-9/32")**