

Dimension: 1.82" w x 0.36" h

V-T-10

WATERPROOF T-MOLDING

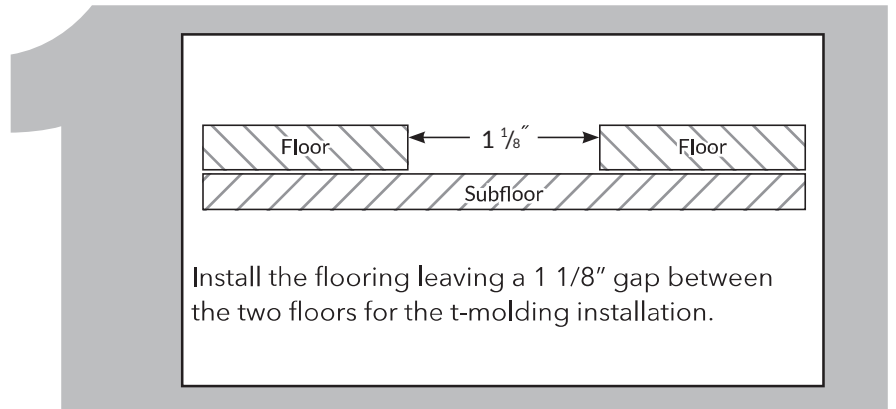
Used to fill the gap between two floors of equal height.

Used with floors ranging from 8-12mm in height.

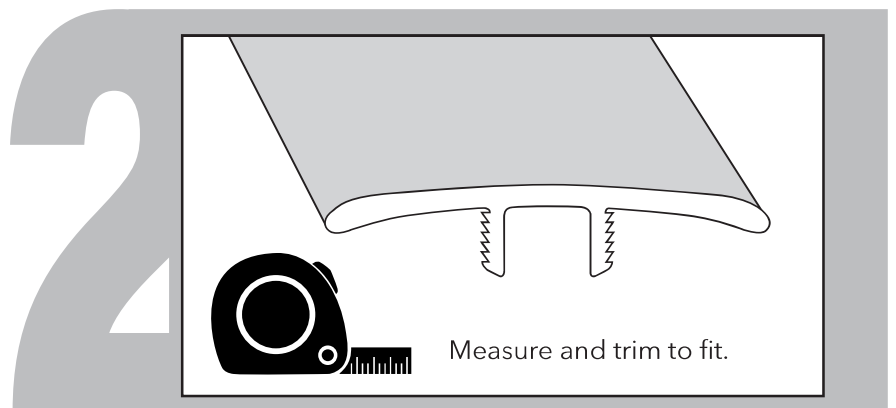
For concrete use appropriate Rawl Plugs (Not Included)

Glue with construction adhesive (do not glue floor)

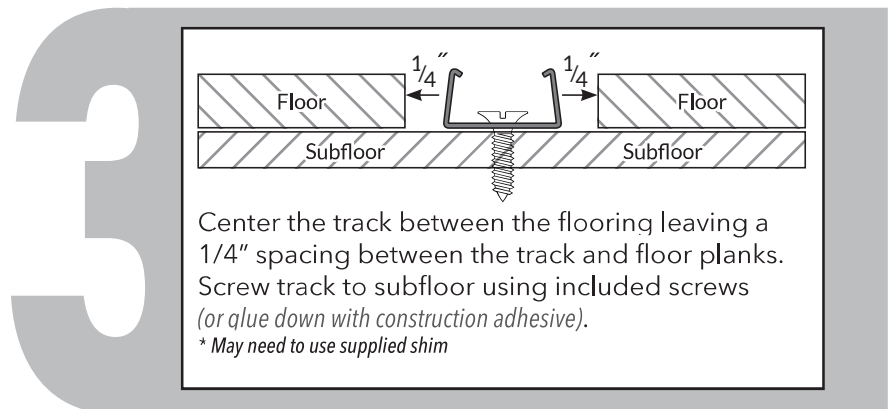
Surface: Wear resistant
Core Material: Rigid PVC



Install the flooring leaving a 1 1/8" gap between the two floors for the t-molding installation.

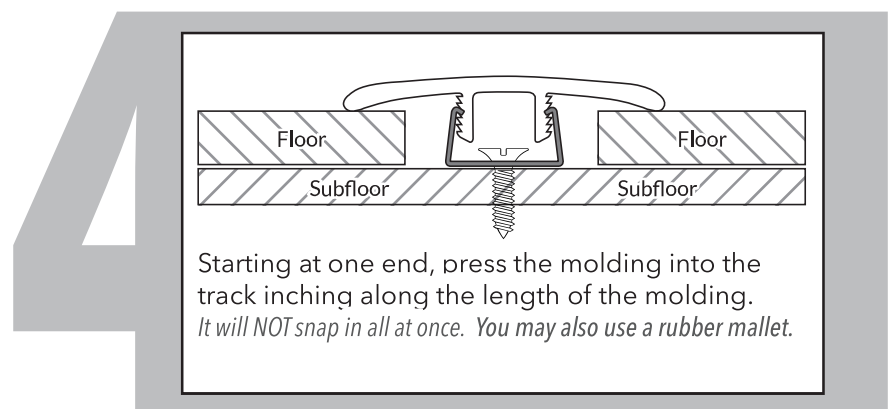


Measure and trim to fit.



Center the track between the flooring leaving a 1/4" spacing between the track and floor planks. Screw track to subfloor using included screws (or glue down with construction adhesive).

** May need to use supplied shim*



Starting at one end, press the molding into the track inching along the length of the molding. It will NOT snap in all at once. You may also use a rubber mallet.