

Dimension: 1.82" w x 0.36" h

# V-T-10

## WATERPROOF T-MOLDING

Used to fill the gap between two floors of equal height.

Used with floors ranging from 8-12mm in height.

*For concrete use appropriate Rawl Plugs (Not Included)*

*Glue with construction adhesive (do not glue floor)*

**Surface:** Wear resistant  
**Core Material:** Rigid PVC

**1**

Install the flooring leaving a 1 1/8" gap between the two floors for the t-molding installation.

**2**

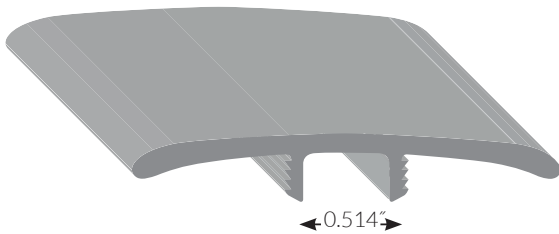
Measure and trim to fit.

**3**

Center the track between the flooring leaving a 1/4" spacing between the track and floor planks. Screw track to subfloor using included screws (or glue down with construction adhesive).  
*\* May need to use supplied shim*

**4**

Starting at one end, press the molding into the track inching along the length of the molding. It will NOT snap in all at once. You may also use a rubber mallet.



Dimension: 1.77" w x 0.28" h

# V-T-14

## WATERPROOF T-MOLDING

Used to fill the gap between two floors of equal height.

Used with floors ranging from 2-6mm in height.

*For concrete use appropriate Rawl Plugs (Not Included)*

*Glue with construction adhesive (do not glue floor)*

**Surface:** Wear resistant  
**Core Material:** Rigid PVC

**1**

Install the flooring leaving a 1-1/8" gap between the two floors for the t-molding installation.

**2**

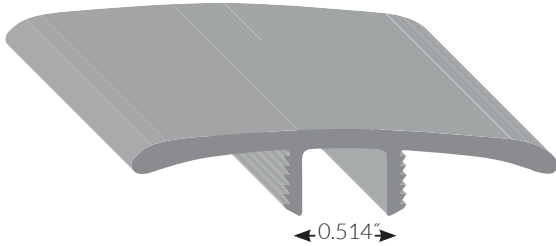
Measure and trim to fit.

**3**

Center the track between the flooring leaving a 1/4" spacing between the track and floor planks. Screw track to subfloor using included screws (or glue down with construction adhesive).

**4**

Starting at one end, press the molding into the track inching along the length of the molding. It will NOT snap in all at once. You may also use a rubber mallet.



Dimension: 1.82" w x 0.36" h

# V-T-18

## WATERPROOF T-MOLDING

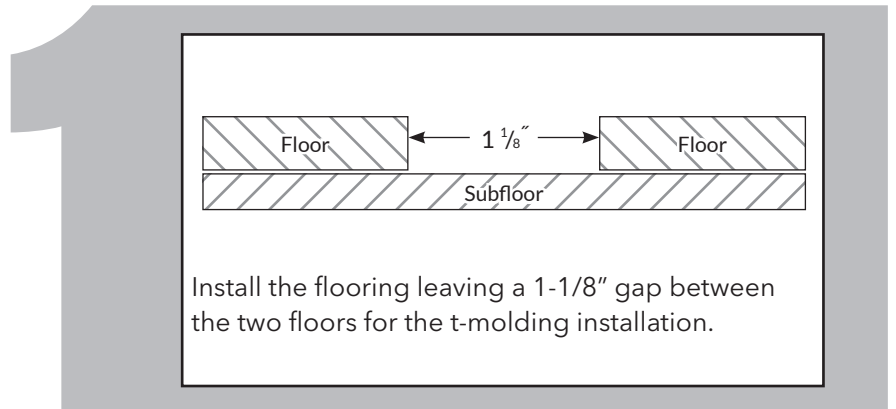
Used to fill the gap between two floors of equal height.

Used with floors ranging from 6-9mm in height.

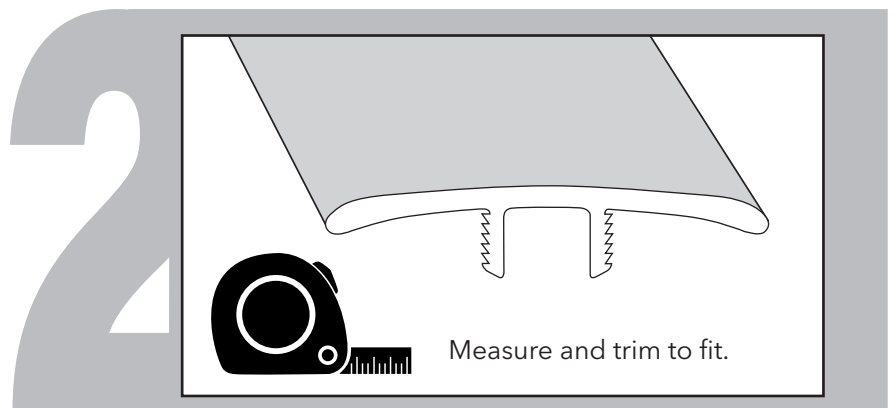
*For concrete use appropriate Rawl Plugs (Not Included)*

*Glue with construction adhesive (do not glue floor)*

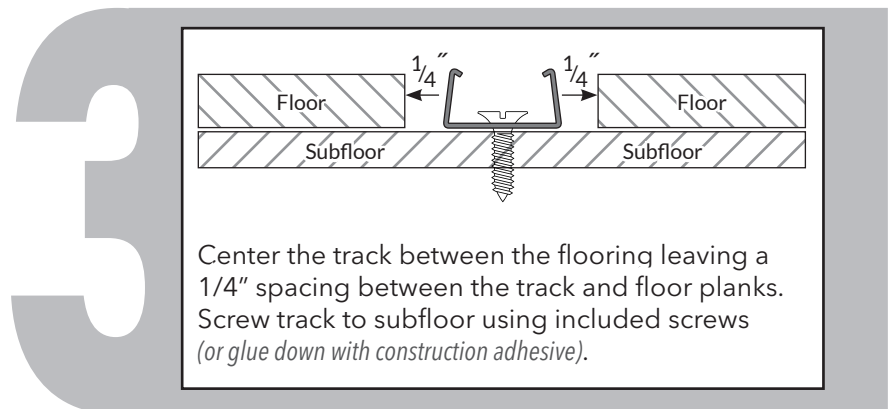
**Surface:** Wear resistant  
**Core Material:** Rigid PVC



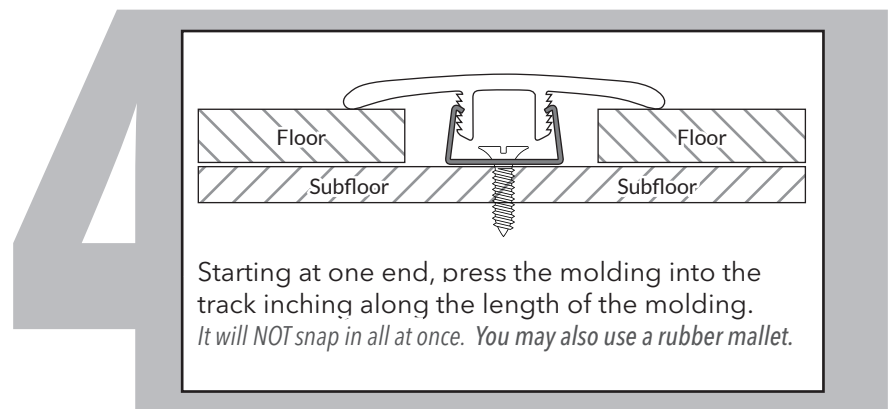
Install the flooring leaving a 1-1/8" gap between the two floors for the t-molding installation.



Measure and trim to fit.



Center the track between the flooring leaving a 1/4" spacing between the track and floor planks. Screw track to subfloor using included screws (or glue down with construction adhesive).



Starting at one end, press the molding into the track inching along the length of the molding. It will NOT snap in all at once. You may also use a rubber mallet.