



Dimension: 2.23" w x 1.034" h

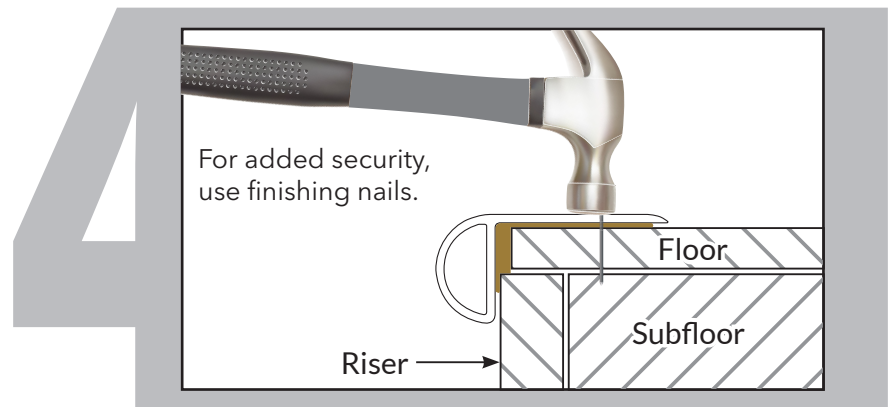
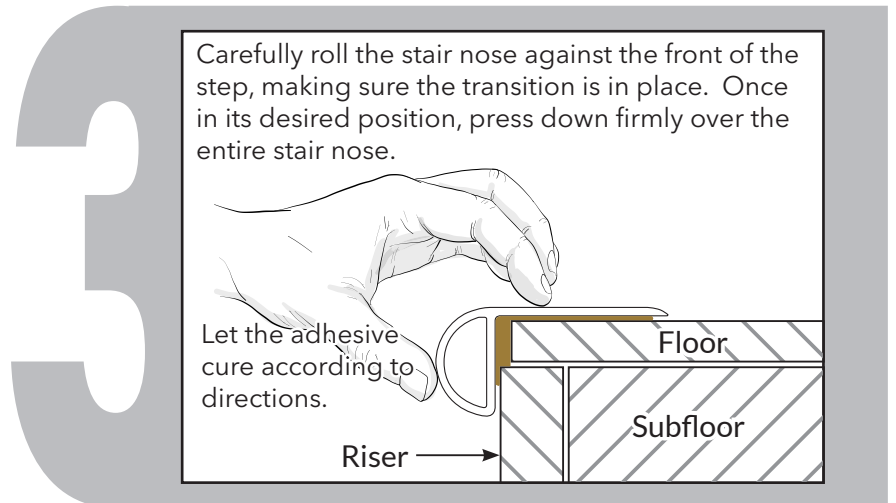
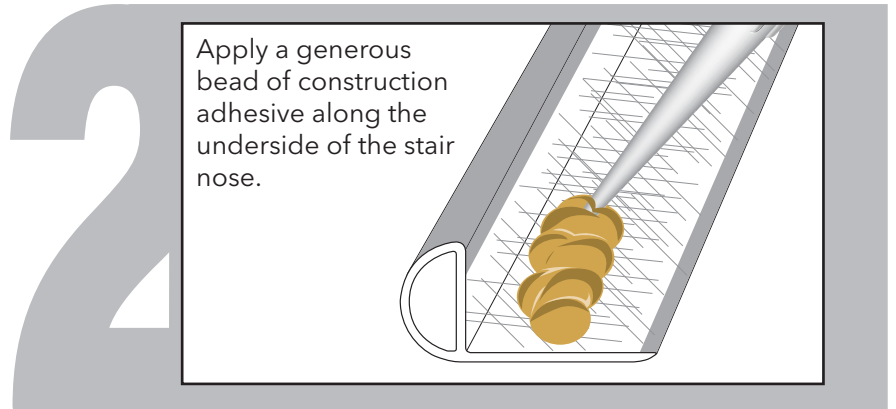
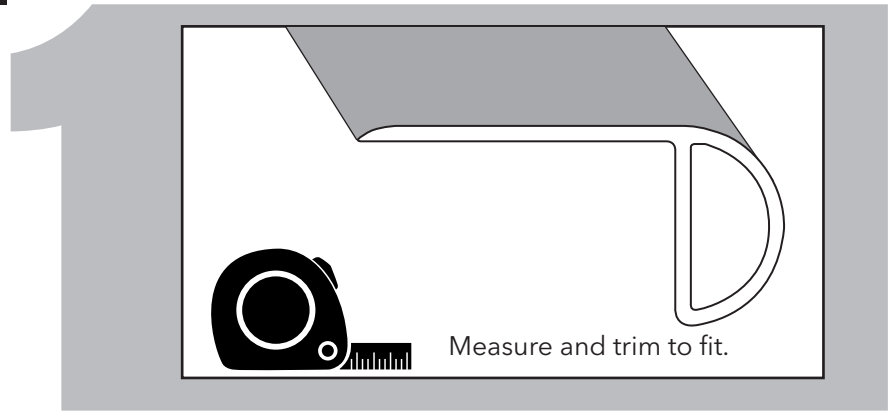
V-SN-06

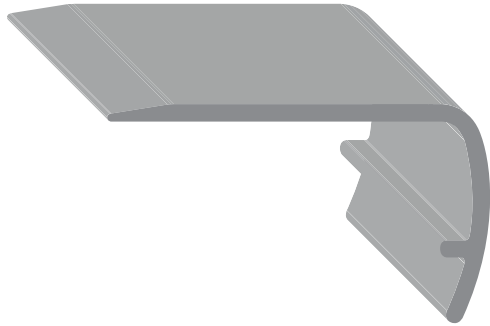
WATERPROOF STAIR NOSE

Used to finish the end of a step.

Note: Always ensure that existing stair (Tread depth and Riser height) dimensions are maintained

Surface: Wear resistant
Core Material: Rigid PVC





Dimension: 2.0"w x 1.15"h

V-SN-01

WATERPROOF STAIR NOSE

Used to finish the end of a step.

Note: Always ensure that existing stair (Tread depth and Riser height) dimensions are maintained

Surface: Wear resistant
Core Material: Rigid PVC

